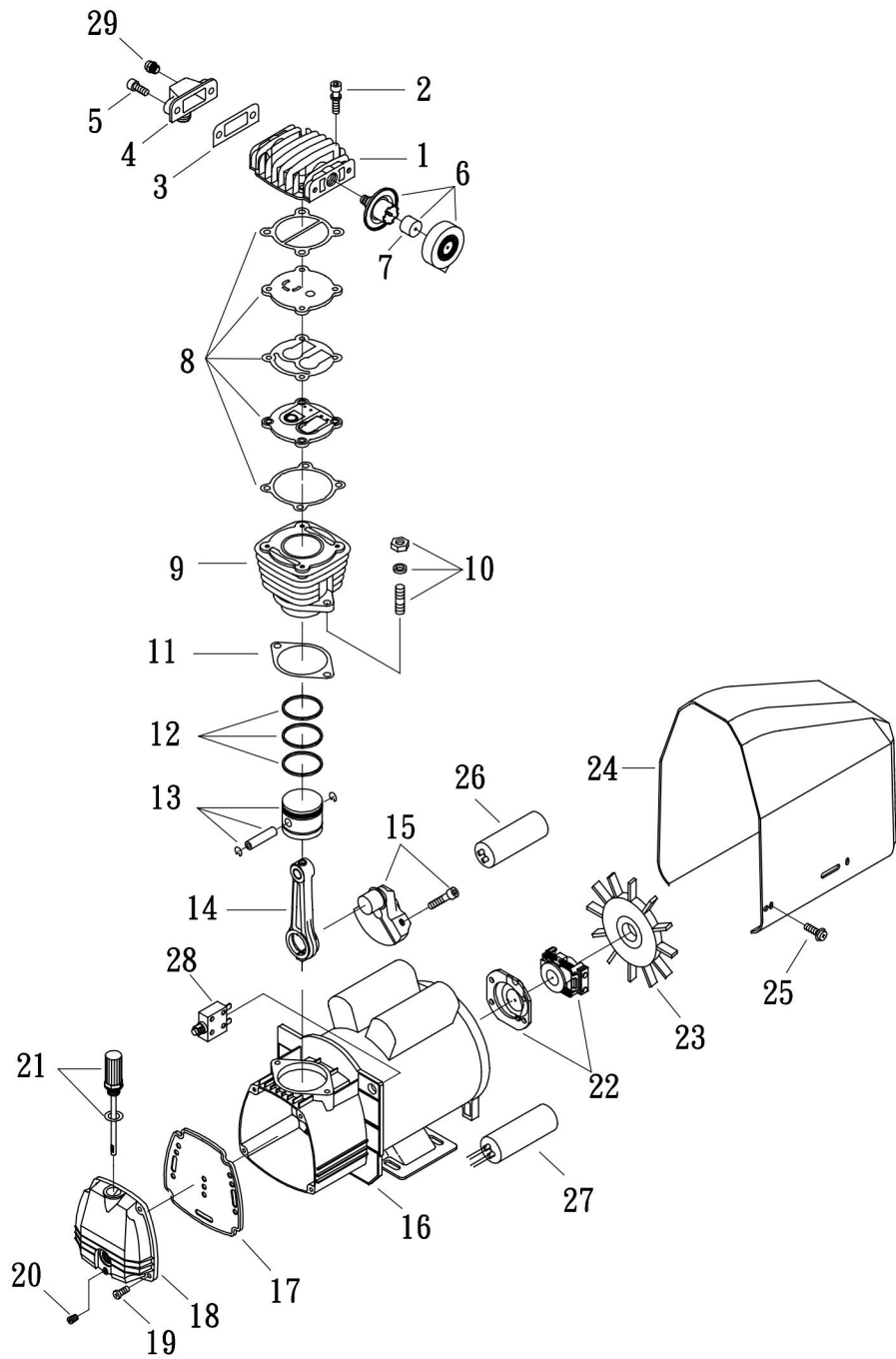


MODEL :DP-2505C (Pump)

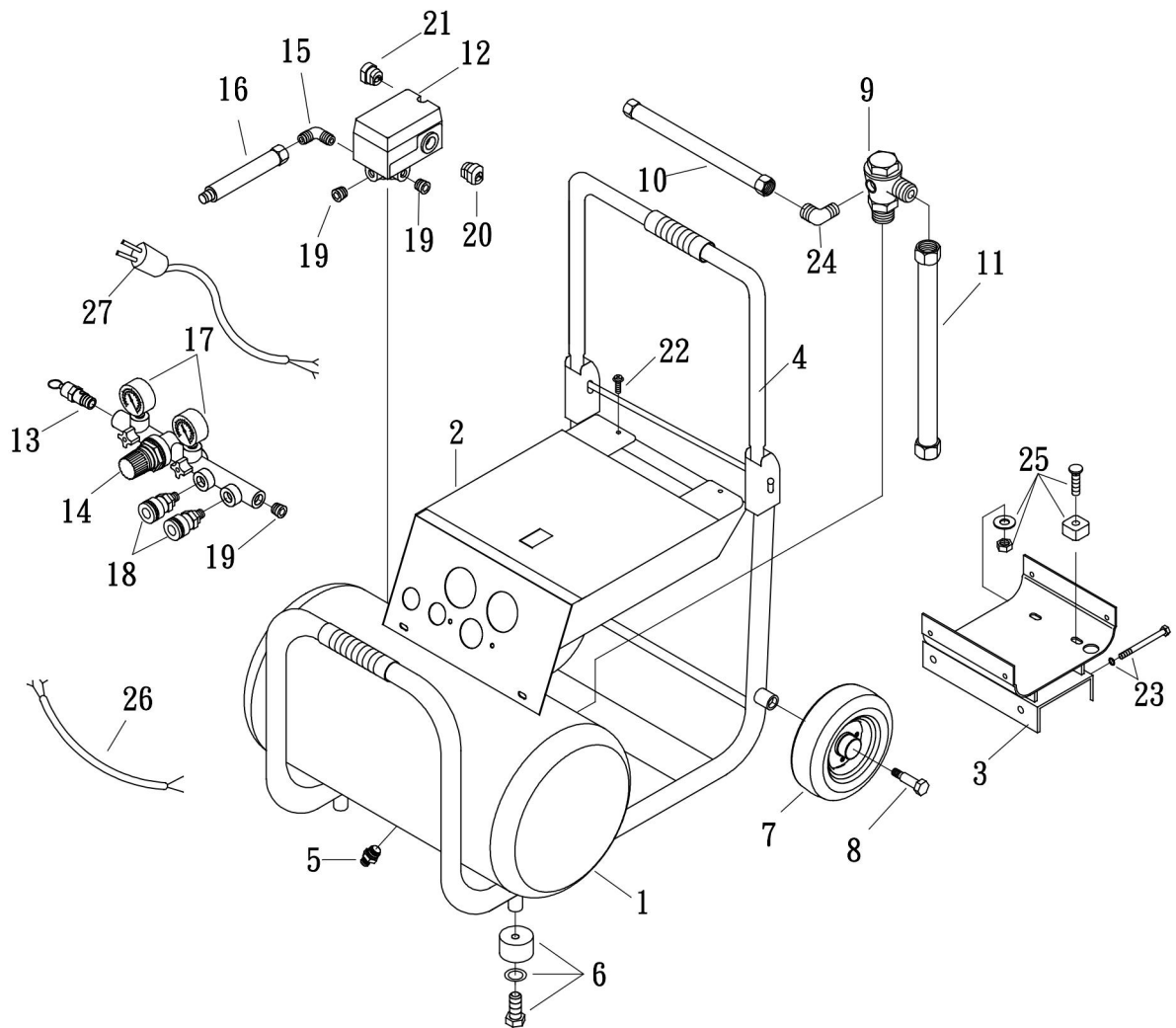


SPARE PARTS LIST

NO : MP-1910

REF. NO.	DESCRIPTION	PART NO.	QTY.	REF. NO.	DESCRIPTION	PART NO.	QTY.
1	Cylinder head	3101042	1	16	Motor set	3B8-NC2002WA	1
2	Allen bolt set	3B01-M06*035V	4	17	Front cover gasket	2G07-004A	1
3	Exhaust elbow gasket	2G09-001H	1	18	Front cover	3309022	1
4	Exhaust elbow	2N06-04H11	1	19	Bolt	2B02-FM6*015	4
5	Allen bolt	2B01-M08*020	2	20	Plug	2B14-ST01E	1
6	Air filter	2140019A	1	21	Dipstick set	2339008A	1
7	Filter element	2142013	1	22	Centrifugal switch set	2E24-14062P	1
8	Inlet&Exhaust valve assembly	3B13-K5047	1	23	Cooling fan	2336037-2	1
9	Cylinder	3201006	1	24	Shroud	2428003	1
10	Double head screw set	3B11-008-A	2	25	Bolt	2B02-FM5*010WB	6
11	Cylinder gasket	2G04-015	1	26	Starting capacitor	2E28-300F2540	1
12	Piston ring set	3B32-47N	1	27	Running capacitor	2E27-080F2540	1
13	Piston set	3B31-47	1	28	Thermal protector	2E25-18A	1
14	Rod	2315026	1	29	Auto relief valve	2409012	1
15	Crankshaft & balancer	3304076	1				

MODEL : DP-2505C (Receiver Tank)



SPARE PARTS LIST

NO : MP-1910

REF. NO.	DESCRIPTION	PART NO.	QTY.	REF. NO.	DESCRIPTION	PART NO.	QTY.
1	Air tank and frame set	3401050	1	15	Exhaust elbow	2N06-02T02F	1
2	Cover	3420118	1	16	Tube	2T06-030	1
3	Motor mount	3403144H	1	17	Pressure gauge	2D12-20V14KS1	2
4	Tank grip	3432101	1	18	Quick coupler	07MS01/4M-B	2
5	Drain valve	2405011	1	19	Plug	2B14-ST02E	3
6	Rubber pad set	3433015-A	2	20	Strain relief bushing	2E04-009	1
7	Wheel	2402032B	2	21	Strain relief bushing	2E04-012	1
8	Wheel axle bolt	2418005	2	22	Bolt	2B02-FM5*010WB	8
9	Check valve	2414025T	1	23	Bolt	3B01-M06*075V	2
10	Unloading tube set	3B2-02*280F	1	24	Elbow	2N06-01T02H	1
11	Exhaust tube set	2T02-04*0400	1	25	Motor feet bolt set	3B08-FM08*30-A	4
12	Pressure switch	2E21-AA276DP	1	26	Cable	2E02-2030702Y2T	1
13	Pressure relief valve	2406018A	1	27	Power cable	2E01-012W	1
14	Regulator with manifold	2408027	1				